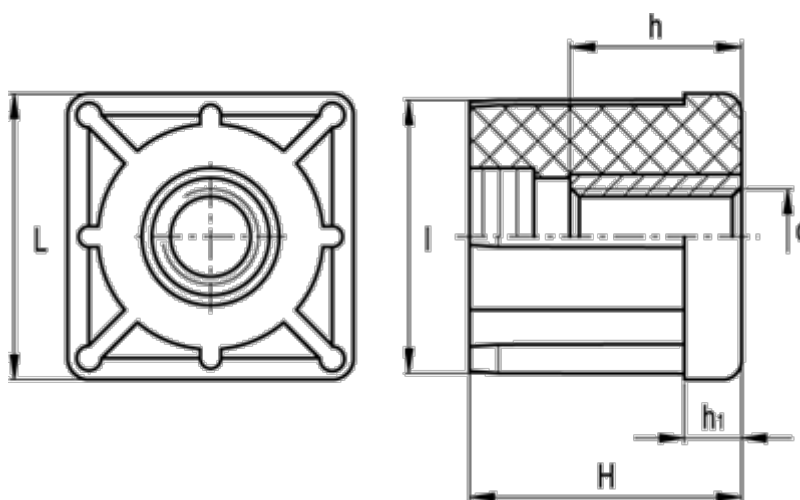


# Data Sheet



Article number: 2310320052  
Description: E+G Square end-cap  
NDX.Q-35x1.5-M10

## Measures



|                    |        |                           |
|--------------------|--------|---------------------------|
| d                  | = M10  | Tube wall thickness = 1.5 |
| h                  | = 10   | Weight (g) = 40           |
| H                  | = 38   |                           |
| h1                 | = 8    |                           |
| Internal tube size | = 32.0 |                           |
| l                  | = 32.0 |                           |
| L                  | = 35   |                           |
| Outer tube size    | = 35   |                           |